



**Window Techs India Pvt. Ltd.**

**Plot no. 805, Sector 69, IMT, Faridabad, Haryana, 121004**

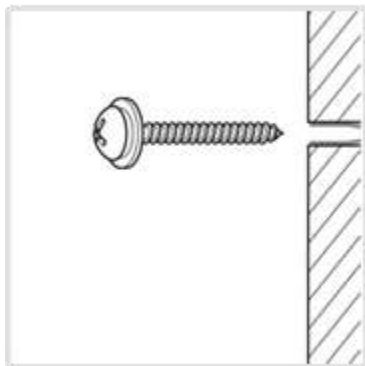
# Picture Hanging System

## CLIPRAIL

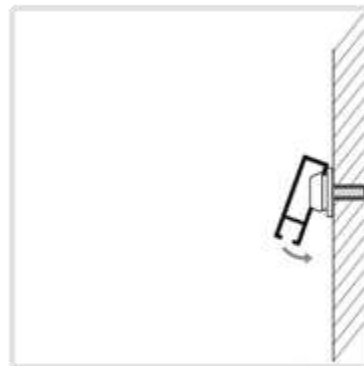


Window Techs cliprail is a high-quality picture hanging system without any mishmash. It is easy to install and feels right at home in every interior.

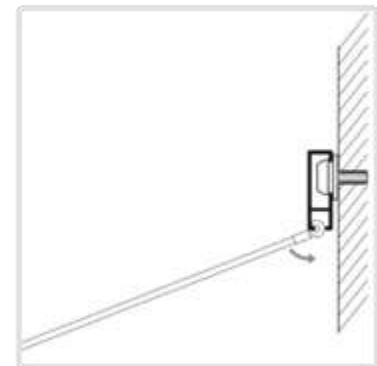
The cliprail owes its name to the specially designed fastening clip - the Window Techs railclip - which allows easy fixation to the wall.



STEP 1



STEP 2



STEP 3

# HOOKS & CORDS

After selecting a rail, choose a cord to hook into the rail and a hook to slide over the cord to the desired height. The cords and hooks on this page can be combined with all rail types, with the exception of j-rail, j-rail max and plasterrail. The smartspring, zipper and zipper pro are very easy to adjust. With one hand movement you can hang wall decorations at the right height. After choosing a rail, choose a cord to hook into the rail and a hook to slide over the cord to the desired height.



max.  
4 kg

STAS  
smartspring  
on STAS cobra  
+ perlon cord



max.  
15 kg

STAS zipper  
on  
STAS cobra  
+ perlon cord



max.  
20 kg

STAS zipper  
on  
STAS cobra  
+ steel cable



# **Thank You**

**Team Window Tech**