



EASY TO BEND



MANUAL OPERATION

Hospital cubical Curtain track-4100

FOR LIGHT, MEDIUM & HEAVY WEIGHT CURTAINS

G-RAIL

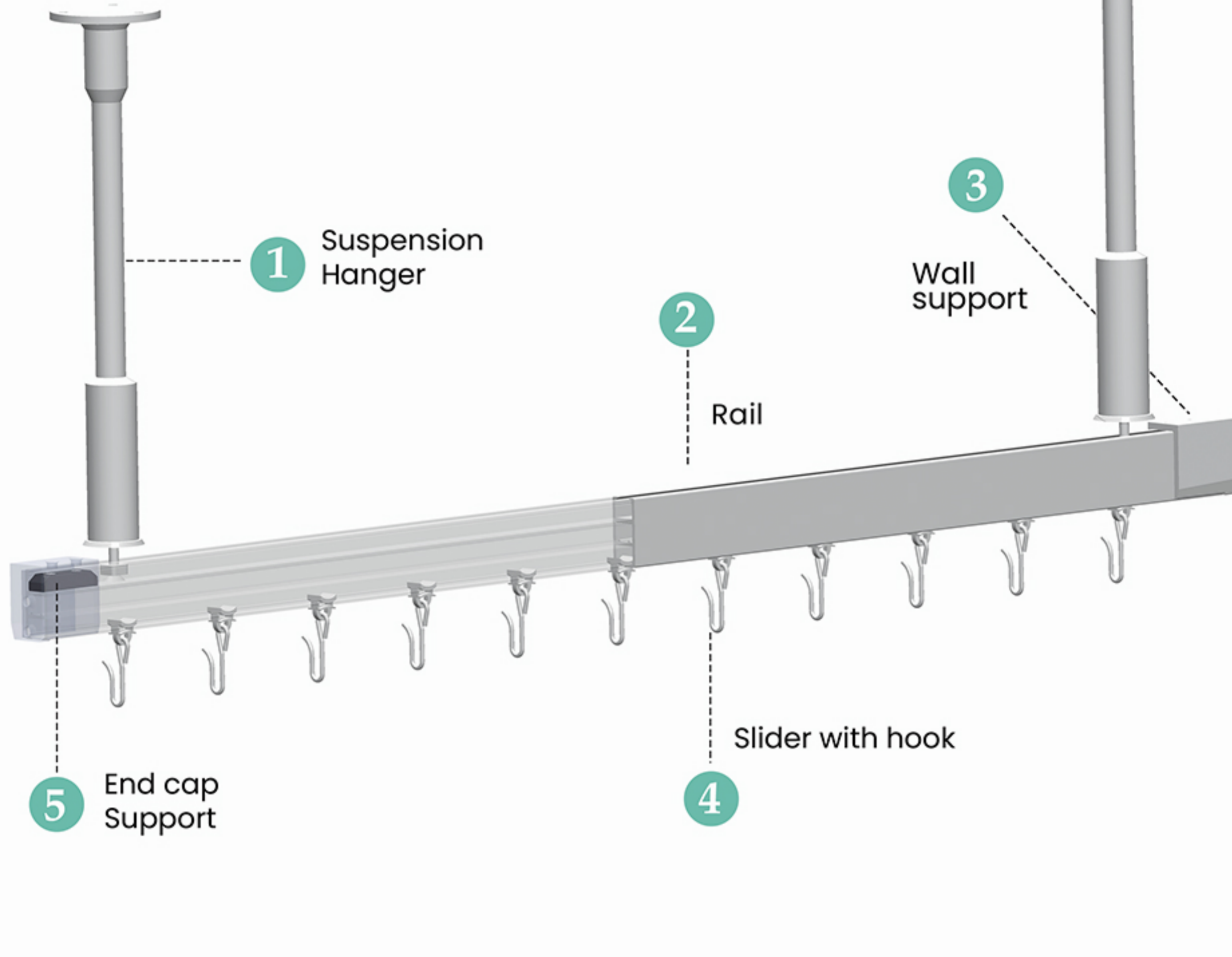
ALUMINIUM RAIL

▶ WINDOW TECHS

HOSPITAL CUBICAL CURTAIN TRACK 4100

G-Rail 4100 is a strong, functional and fully reversible profile.

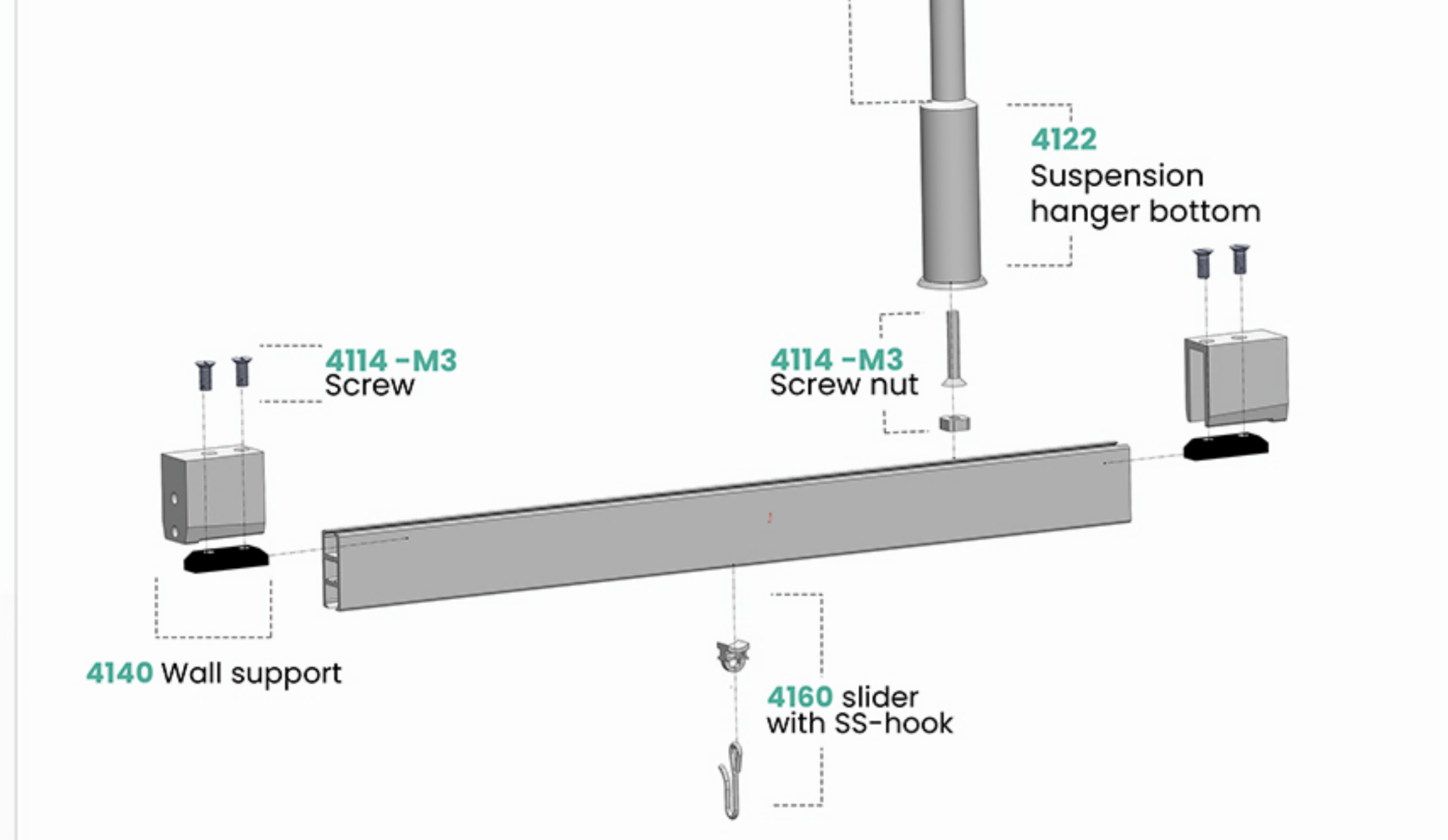
Series 4100 offers a comprehensive range of accessories to suit all fixing possibilities. Elegant in design and function 4100 is suitable for use with up-lighters for improved ambient hospital ward lighting.



4100 BENDING OPTIONS

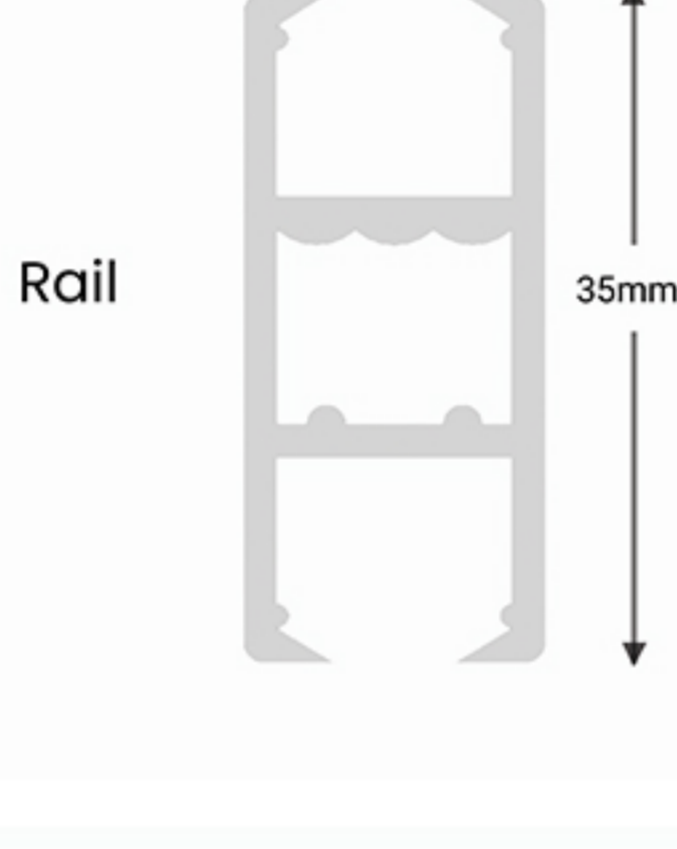


4100 SPECIFICATION GUIDE

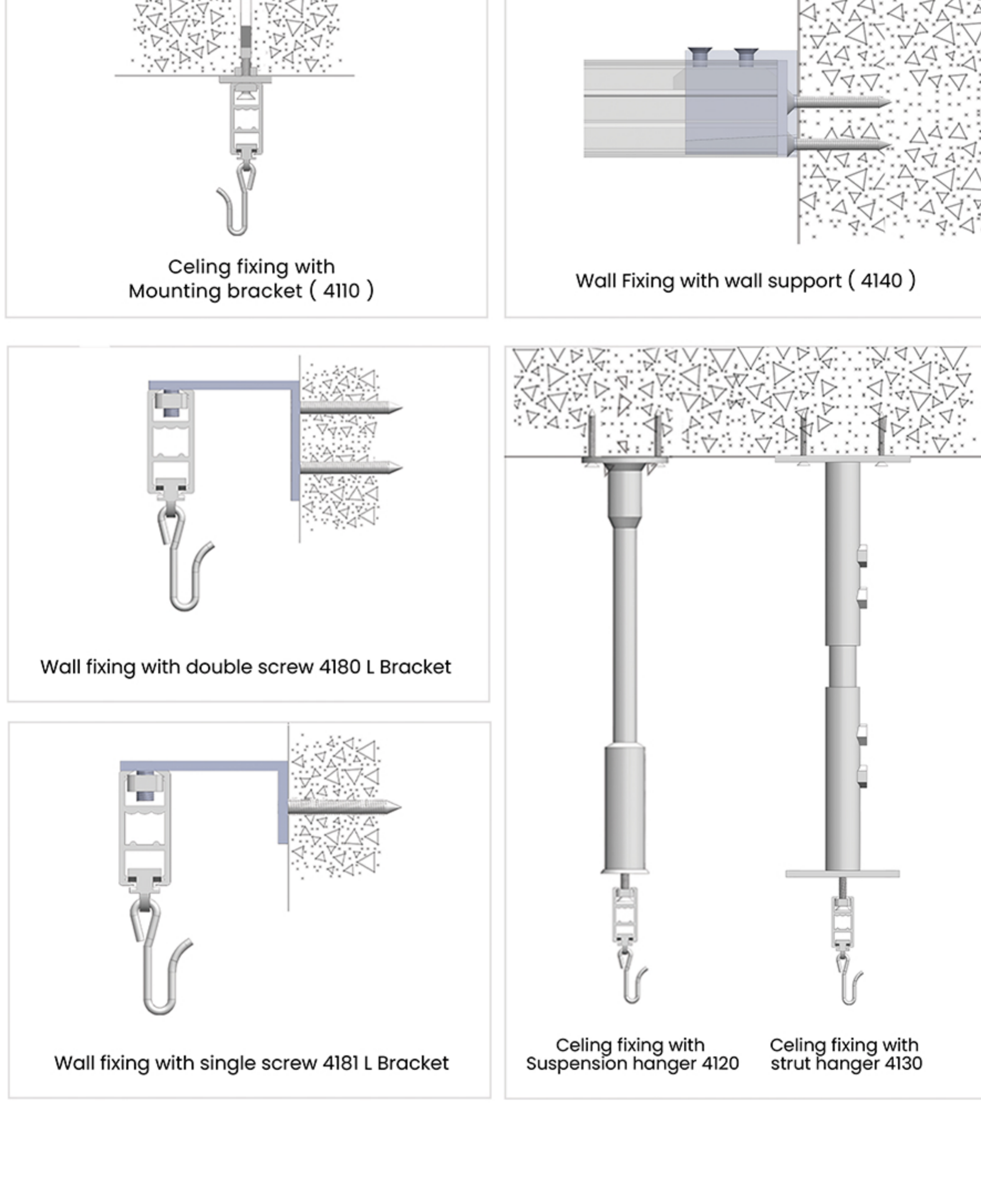


Material

Aluminium shape and size tolerances are in accordance with DIN 17615. Powder coat white **RAI 9010** in accordance with Qualicoat standard Profile weight: **498 gr/m.**



4100 INSTALLATION



4100 COMPONENTS

Accessories:

Slider - with SS hooks - 4160 (rotating slider with Hook - 4170) at 10 per metre, two wall support 4140 per length. Connecting bridge 4150 to join two rails.

